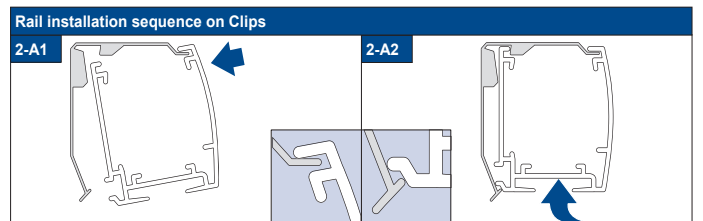
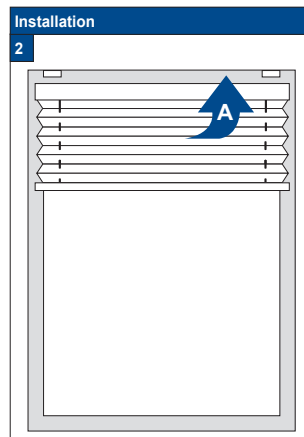
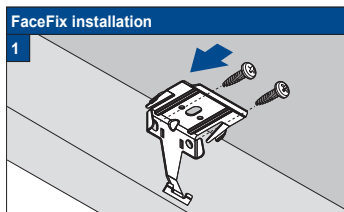
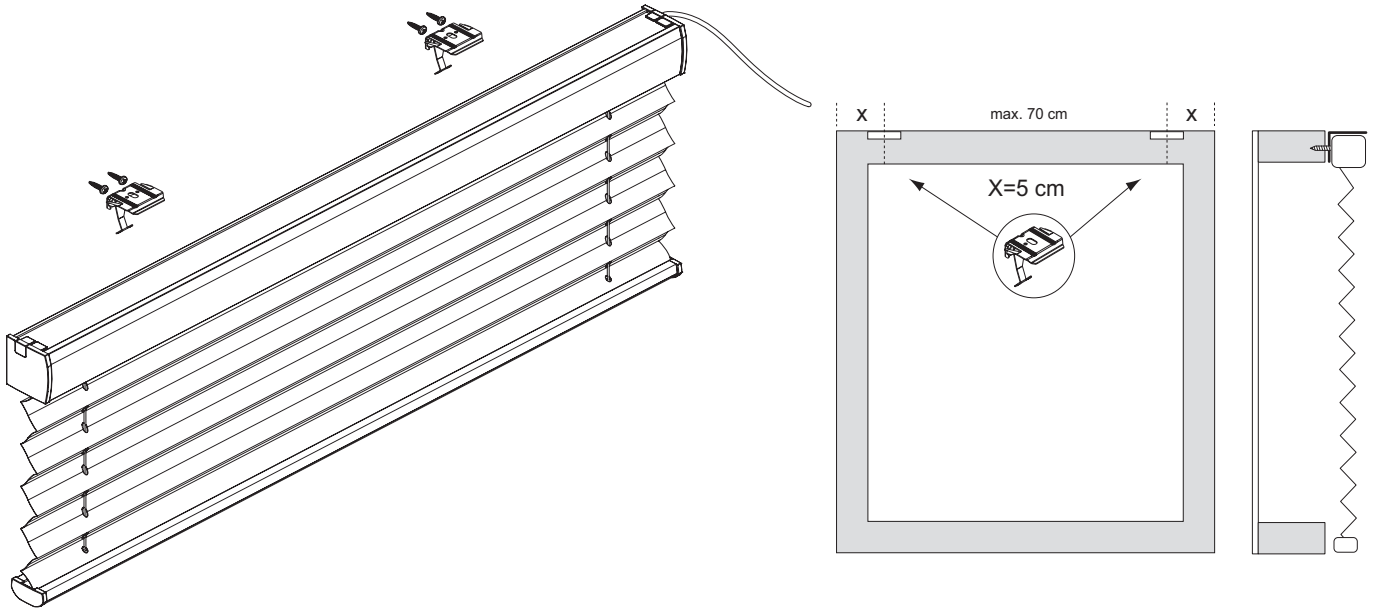


## FaceFix installation to a window frame / wall [F1]

**Model  
AE10**

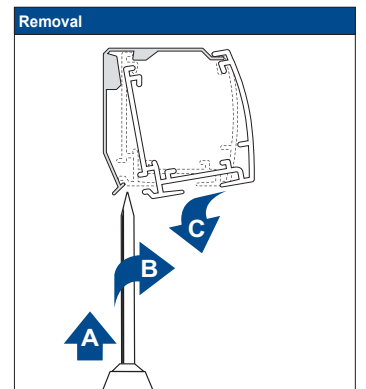
- ! Do not damage the product when using a sharp knife to open the packaging! Fitting screws: Use a size-2 screwdriver (PO-ZIDRIVE) or use an electric screwdriver at it's lowest torque. use the original screws enclosed, to prevent malfunctioning from using too thick screw heads!
- Rail removal: Use a flat screwdriver of max. 6 mm wide. Only



**Connection**

3

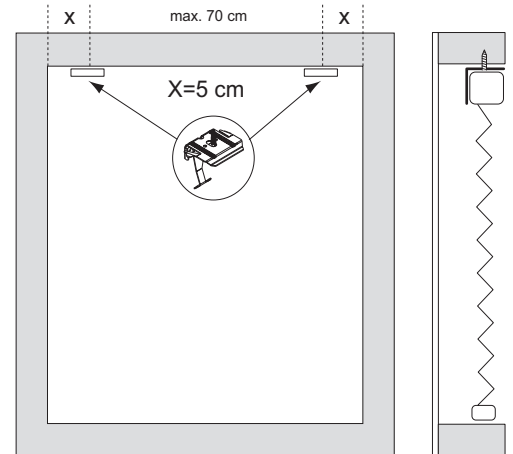
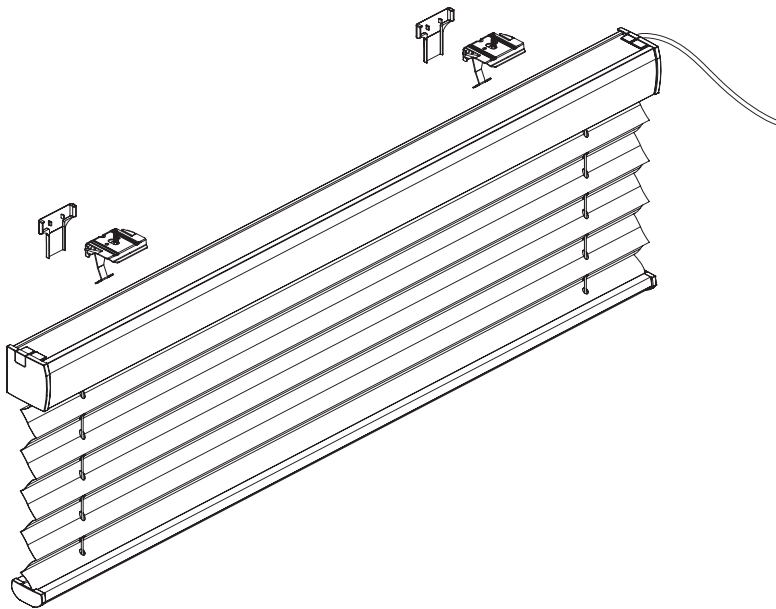
- ! The built-in motor (24 V DC) with automatic end position adjustment may only be connected to the 230V mains using a stabilized 24 Volt DC Power Supply. **Only use Power Supplies and controls recommended by the manufacturer of the Pleated Blind, to prevent damage or malfunctioning caused by non-compatible electric components!**
- When connecting electric components, the wiring diagram provided by the manufacturer of the Power Supply must be observed.



## Installation TopFix / RecessFix [R1]

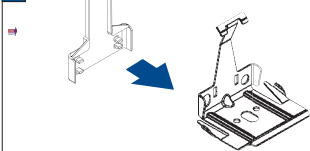
**Model  
AE10**

- ! Do not damage the product when using a sharp knife to open the packaging! Fitting screws: Use a size-2 screwdriver (PO-ZIDRIVE) or use an electric screwdriver at it's lowest torque. use the original screws enclosed, to prevent malfunctioning from using too thick screw heads!
- Rail removal: Use a flat screwdriver of max. 6 mm wide. Only



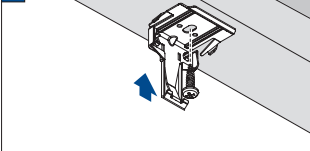
### Cover installation

1



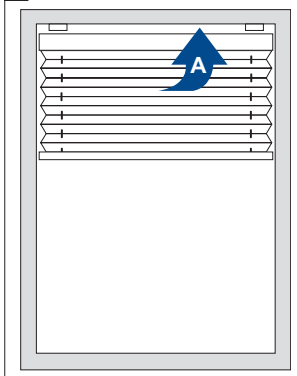
### Clip installation

2



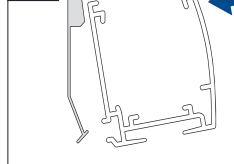
### Installation

3

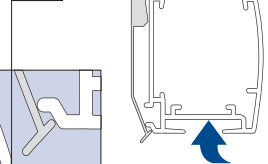


### Rail installation sequence on Clips

3-A1



3-A2



### Connection

4

- ! The built-in motor (24 V DC) with automatic end position adjustment may only be connected to the 230V mains using a stabilized 24 Volt DC Power Supply. **Only use Power Supplies and controls recommended by the manufacturer of the Pleated Blind, to prevent damage or malfunctioning caused by non-compatible electric components!** When connecting electric components, the wiring diagram provided by the manufacturer of the Power Supply must be observed.

### Removal

